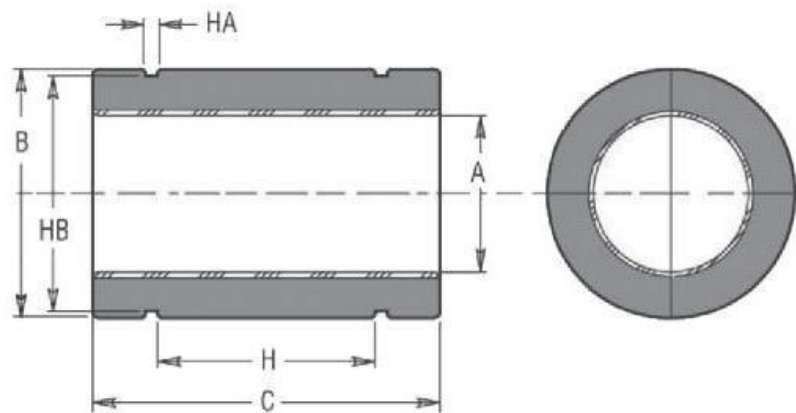


LINEAR SHAFTS AND BALL BUSHINGS

FMTC SERIES



Típus Type Tipul	A		B		C		Koncentrikusság Concentricity Concentricitate	H	HA	HB	Terhelés Load Sarcina	Tömeg Weight Masa
	min	max	min	max	min	max						
	(mm)											
FMTC 06	6,060	6,078	11,982	12	21,746	22	0,0254	-	-	-	2727	6
FMTC 08	8,063	8,085	14,982	15	23,746	24	0,0254	10	2	12,2	3963	8
FMTC 10	10,063	10,085	16,982	17	25,746	26	0,0254	12	2	14,4	5356	9
FMTC 12	12,066	12,093	18,979	19	27,746	28	0,0254	14	2	16,6	6926	12
FMTC 14	14,066	14,093	20,979	21	27,746	28	0,0254	14	2	18,5	8083	13
FMTC 16	16,066	16,093	23,979	24	29,746	30	0,0254	14	2	21,3	9888	19
FMTC 20	20,096	20,129	27,979	28	29,746	30	0,0254	14	2	25,5	12361	23
FMTC 25	25,096	25,129	34,975	35	39,746	40	0,0254	22	3,2	30,9	20601	44
FMTC 30	30,090	30,129	39,975	40	49,746	50	0,0254	30	3,2	35,9	30902	65
FMTC 40	40,127	40,166	51,970	52	59,746	60	0,0254	40	4,1	46,2	49442	123
FMTC 50	50,127	50,133	61,970	62	69,746	70	0,0254	50	4,1	56,3	72104	178

construction: plain bearing

material: anodized aluminium

internal coating: teflon