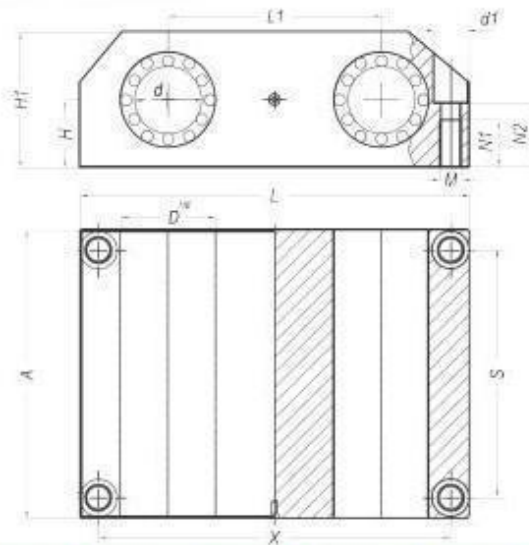


LINEAR SHAFTS AND BALL BUSHINGS

▼ SMLC SERIES



Type	Shaft Ø	A	H	H1	L	L1	M	Weight
	(mm)							
SMLC12	12	70	15	30	80	40	M5	376
SMLC16	16	80	17,5	35	96	52	M5	612
SMLC20	20	85	20	40	115	63	M6	832
SMLC25	25	100	25	50	136	75	M8	1464
SMLC30	30	130	28	56	146	80	M8	2180
SMLC40	40	150	35	70	184	97	M10	3820
SMLC50	50	175	40	80	210	107	M12	5500