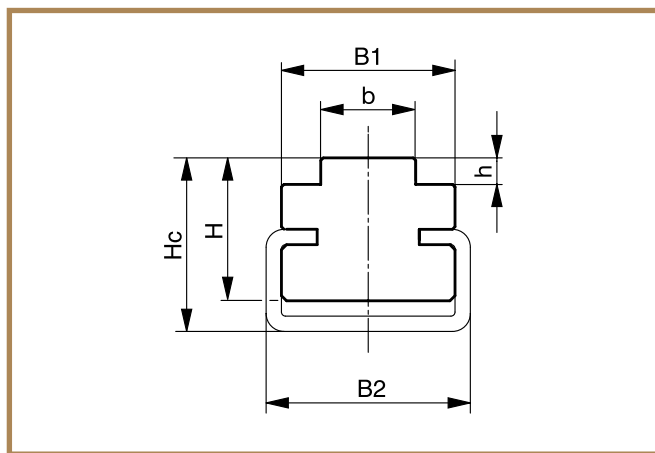
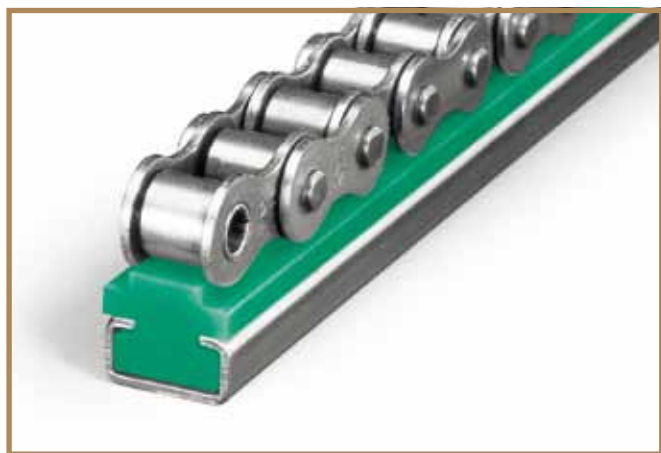


TYPE CT




DIN 8187 chain no.	Chain dimensions in inches	C profile type	B1	B2	H	Hc	b	h	Article no.
06B-1	3/8" x 7/32"	C3	17	20	14	17	5.4	1.5	221 210 015 351 020 003
083-1	1/2" x 3/16"	C3	17	20	14	17	4.5	1.5	221 210 002 351 020 003
085-1	1/2" x 1/4"	C3	17	20	14	17	6.2	2.2	221 210 003 351 020 003
08B-1	1/2" x 5/16"	C1	20	24	10	11	7.4	2.2	221 210 001 351 020 001
08B-1	1/2" x 5/16"	C3	17	20	14	17	7.4	2.2	221 210 004 351 020 003
-	5/8" x 1/4"	C3	17	20	14	17	6.2	2.6	221 210 005 351 020 003
10B-1	5/8" x 3/8"	C3	17	20	14	17	9.3	2.6	221 210 006 351 020 003
12B-1	3/4" x 7/16"	C3	20	20	14	17	11.3	2.4	221 210 007 351 020 003
12B-1	3/4" x 7/16"	C5	24	28	14	18	11.3	2.4	221 210 008 351 020 005
16B-1	1" x 17 mm	C5	24	28	14	18	16	3.5	221 210 009 351 020 005
20B-1	1 1/4" x 3/4"	C5	28	28	14	18	18	4.2	221 210 010 351 020 005
24B-1	1 1/2" x 1"	C9	33	38	23	30	24	5.5	221 210 011 351 020 009
28B-1	1 3/4" x 31 mm	C9	38	38	23	30	30	6.8	221 210 012 351 020 009
32B-1	2" x 31 mm	C9	38	38	23	30	30	7.7	221 210 013 351 020 009
32B-1	2" x 31 mm	C12	60	60	25	35	30	7.7	221 210 014 351 020 012

Dimensions in mm · Separate ASA/JIS product catalogue available.

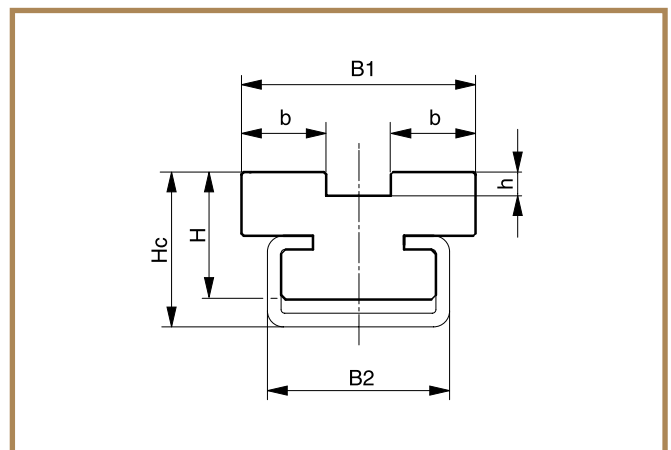
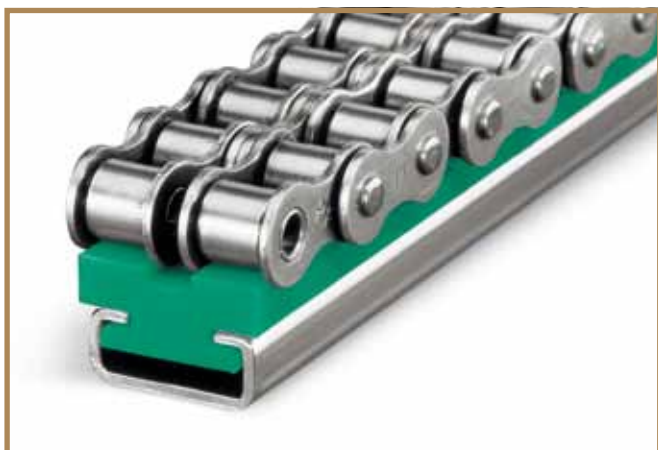


TYPE CT-DUPLEX



DIN 8187 chain no.	Chain dimensions in inches	C profile type 	B1	B2	H	Hc	b	h	Article no.
06B-2	3/8" x 7/32"	C3	15.6		14	17	5.3	1.5	221 210 022
				20					351 020 003
08B-2	1/2" x 5/16"	C3	21.2		14	17	7.2	2.2	221 210 016
				20					351 020 003
10B-2	5/8" x 3/8"	C3	25.6		14	17	9.0	2.6	221 210 017
				20					351 020 003
12B-2	3/4" x 7/16"	C5	30.4		15	20	10.9	2.4	221 210 018
				28					351 020 005
16B-2	1" x 17 mm	C9	47.8		20	27	15.8	3.5	221 210 019
				38					351 020 009
20B-2	1 1/4" x 3/4"	C12	54.7		22	30	18.2	4.2	221 210 020
				60					351 020 012
24B-2	1 1/2" x 1"	C12	72.0		25	35	23.6	5.5	221 210 021
				60					351 020 012

Dimensions in mm · Separate ASA/JIS product catalogue available.



TYPE CT-TRIPLEX



DIN 8187 chain no.	Chain dimensions in inches	C profile type	B1	B2	H	Hc	b	h	2e + b	Article no.
06B-3	3/8" x 7/32"		30.0		15	20	5.3	1.5	25.9	221 210 023
		C5		28						351 020 005
08B-3	1/2" x 5/16"		34.9		15	20	7.1	2.2	34.9	221 210 024
		C5		28						351 020 005
10B-3	5/8" x 3/8"		50.0		15	17	8.9	2.6	42.1	221 210 025
		C4		50						351 020 004
12B-3	3/4" x 7/16"		49.7		18	20	10.7	2.4	49.7	221 210 026
		C4		50						351 020 004
16B-3	1" x 17 mm		79.5		20	22	15.7	3.5	79.5	221 210 027
		C6		80						351 020 006
20B-3	1 1/4" x 3/4"		91.0		20	22	18.0	4.2	91.0	221 210 028
		C6		80						351 020 006

Dimensions in mm · Separate ASA/JIS product catalogue available.

