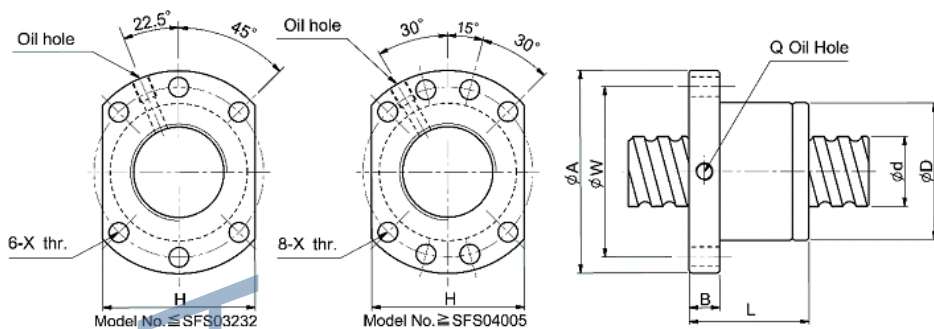


SFS TYPE



Típus Type	d	l	Da	D	A	B	L	W	H	X	Q	n	Ca	Coa	K
													(mm)		
SFS01205-2.8	12	5	2.5	24	40	10	31	32	30	4.5	-	2.8x1	6610	13160	190
SFS01210-2.8		10	2.5	24	40	10	48,5	32	30	4.5	-	2.8x1	6420	12870	190
SFS01605-3.8	15	5	2.778	28	48	10	38	38	40	5.5	M6	3.8x1	11120	25070	300
SFS01610-2.8		10	2.778	28	48	10	47	38	40	5.5	M6	2.8x1	8390	18210	230
SFS01616-1.8		16	2.778	28	48	10	45	38	40	5.5	M6	1.8x1	5520	11370	140
SFS01616-2.8		16	2.778	28	48	10	61	38	40	5.5	M6	2.8x1	8080	17690	220
SFS01620-1.8	20	20	2.778	28	48	10	57	38	40	5.5	M6	1.8x1	5540	11700	140
SFS02005-3.8 Δ		5	3.175	36	58	10	40	47	44	6.6	M6	3.8x1	14840	36810	370
SFS02010-3.8		10	3.175	36	58	10	60	47	44	6.6	M6	3.8x1	15160	38330	400
SFS02020-1.8		20	3.175	36	58	10	57	47	44	6.6	M6	1.8x1	7640	17580	190
SFS02020-2.8	25	20	3.175	36	58	10	77	47	44	6.6	M6	2.8x1	11180	27340	290
SFS02505-3.8 Δ		5	3.175	40	62	10	40	51	48	6.6	M6	3.8x1	16500	46580	430
SFS02510-3.8		10	3.175	40	62	12	62	51	48	6.6	M6	3.8x1	16380	46330	450
SFS02525-1.8		25	3.175	40	62	12	70	51	48	6.6	M6	1.8x1	8430	21990	220
SFS02525-2.8	32	25	3.175	40	62	12	95	51	48	6.6	M6	2.8x1	12320	34210	340
SFS03205-3.8 Δ		5	3.175	50	80	12	42	65	62	9	M6	3.8x1	18390	60260	510
SFS03210-3.8		10	3.969	50	80	13	62	65	62	9	M6	3.8x1	24600	72550	550
SFS03220-2.8		20	3.969	50	80	12	80	65	62	9	M6	2.8x1	19070	54820	430
SFS03232-1.8	31	32	3.969	50	80	13	84	65	62	9	M6	1.8x1	12570	34260	270
SFS03232-2.8		32	3.969	50	80	13	116	65	62	9	M6	2.8x1	18380	53290	420
SFS04005-3.8 Δ	40	5	3.175	63	93	15	45	78	70	9	M8	3.8x1	20180	75890	600
SFS04010-3.8		10	6.35	63	93	14	63	78	70	9	M8	3.8x1	50350	139430	670
SFS04020-2.8		20	6.35	63	93	14	82	78	70	9	M8	2.8x1	39590	107150	540
SFS04040-1.8		40	6.35	63	93	15	105	78	70	9	M8	1.8x1	25850	66480	340
SFS04040-2.8	50	40	6.35	63	93	15	145	78	70	9	M8	2.8x1	37800	103410	520
SFS05005-3.8 Δ		5	3.175	75	110	15	45	93	85	11	M8	3.8x1	22070	95420	680
SFS05010-3.8		10	6.35	75	110	18	68	93	85	11	M8	3.8x1	56380	178520	790
SFS05020-3.8		20	6.35	75	110	18	108	93	85	11	M8	3.8x1	57490	184850	870
SFS05050-1.8	48	50	6.35	75	110	18	125	93	85	11	M8	1.8x1	29460	87490	420
SFS05050-2.8		50	6.35	75	110	18	175	93	85	11	M8	2.8x1	43080	136100	650